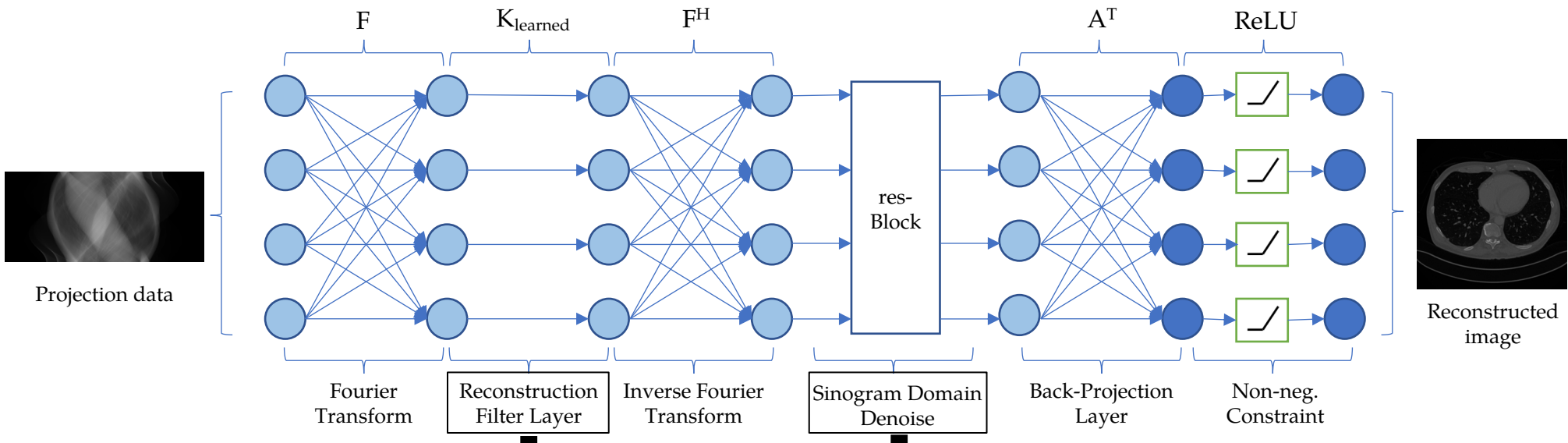
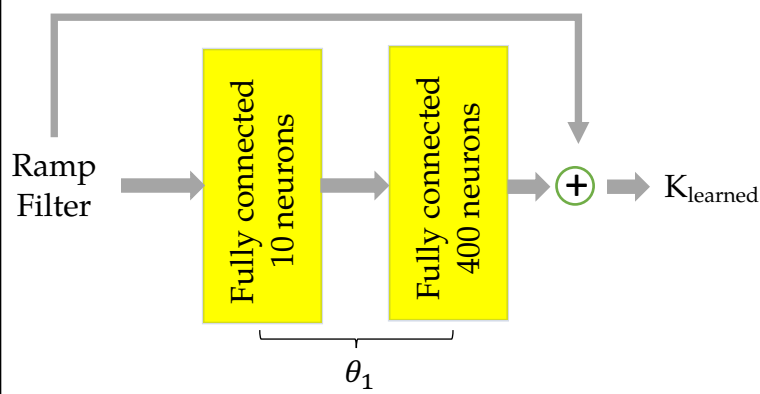


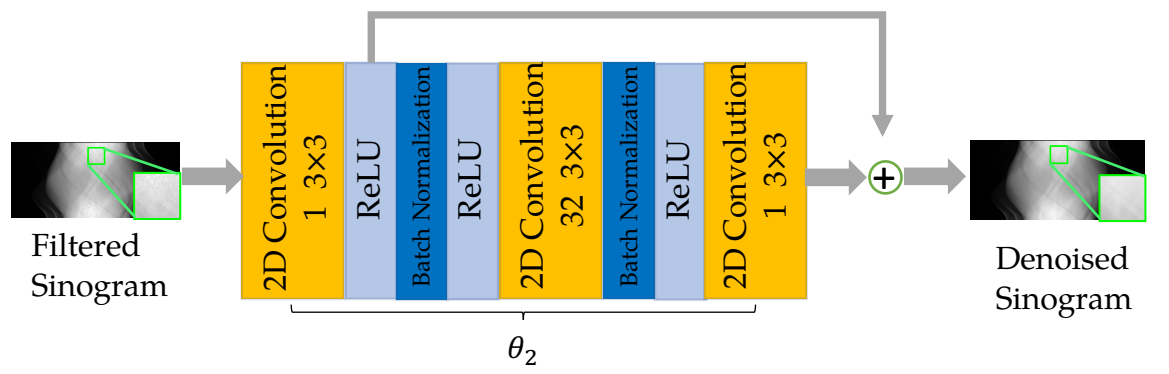
resFBP



(a) Kernel-learning module



(b) resBlock module



$$\text{Training loss: } L(\theta_1, \theta_2) = \frac{1}{2} \| \text{ReLU}(A^T K_2(\theta_2) F^H K_1(\theta_1) F p) - x \|_2^2 + R(\theta_1)$$

Result

